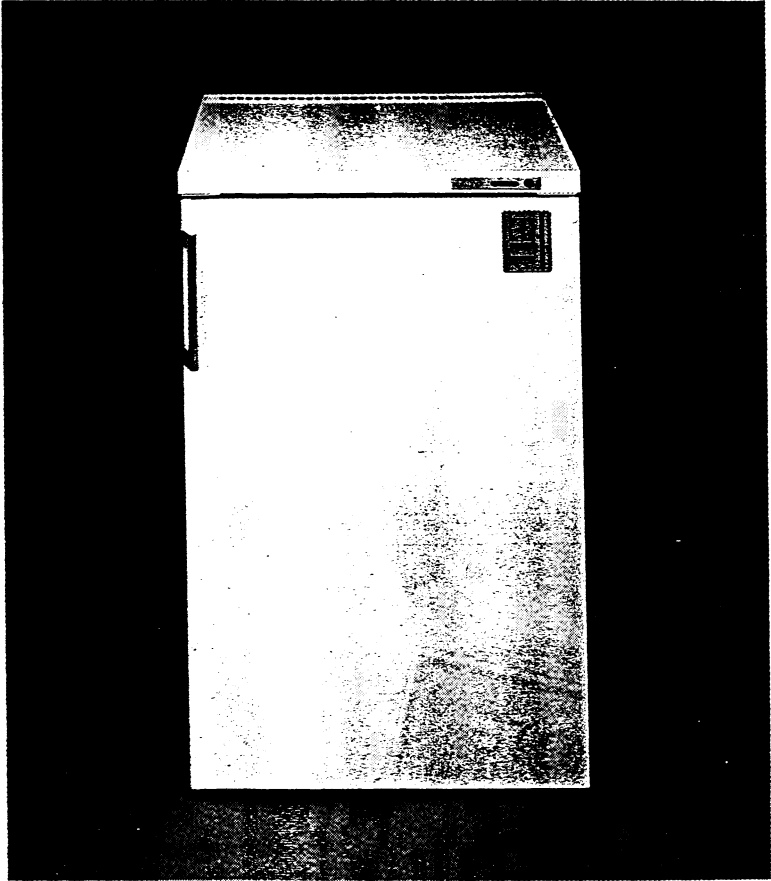




# Electrolux

## UPRIGHT FREEZER TF421



## User's Handbook

Your new Electrolux freezer will store frozen food and freeze fresh food and is an ideal companion for a matching Electrolux RF592 larder refrigerator.

For best results, it's important that you read all the contents of this handbook before you use your freezer.

At first you may be aware of sounds in your kitchen which you are not used to, particularly if your freezer is against sound-reflective surfaces such as tiled or painted walls. Please remember the cooling unit includes precision-built components which, like those in car engines and other machinery with fast moving parts, need a running-in period which may last for several weeks. During this period, don't worry, — just allow the appliance time to settle down.

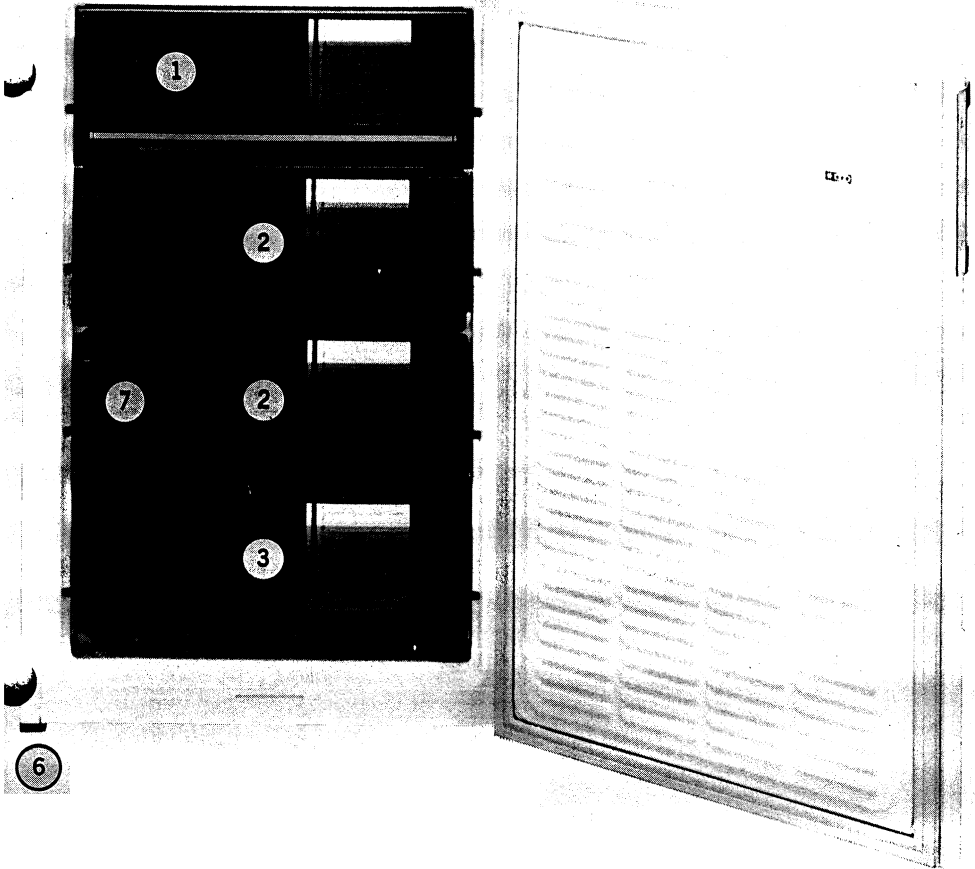
Before using your freezer, we advise you to wash the inside and fittings as described on page 14 under 'cleaning'.

- ① Freezing/storage compartment
- ② Pull-out storage basket
- ③ Storage compartment (lift flap to open)
- ④ Indicator lights
- ⑤ Thermostat dial
- ⑥ Level adjuster
- ⑦ Ice scraper

## **SAFETY NOTE**

If this appliance is replacing an old one which is going to be scrapped, remove the door before disposal to prevent children from becoming trapped inside.

4 5



# About your freezer

## Door hang

The chosen position may make it preferable to change over the hinges and door handle to reverse the door hang. To do this, refer to 'Changing over the door hinges' on page 14.

## Where to install

For the cooling unit to work efficiently, your freezer should be located in a dry atmosphere, out of direct sunlight and away from extreme temperatures, e.g. not next to a cooker or other sources of direct heat, or in a very cold room such as an outhouse, where the temperature may fall below 6°C (43°F).

Leave a clearance of at least 50mm (2ins) above the freezer and don't obstruct the space underneath. The back may be placed close to the wall but should not touch it. Do not install in a small pantry or in other places with restricted ventilation.

If your freezer is to be placed under a worktop, please refer to the instructions given on page 15.

Your fridge must be stood on a strong firm floor and should be level. An adjustable foot is provided under the lower hinge blade to assist levelling where the floor is uneven — see illustration opposite.

**Make sure the freezer is standing upright and the adjuster is in firm contact with the floor so that the cabinet does not rock in any direction.**

## Connecting to the mains

Before you use your freezer, check that the voltage shown on the data label inside the cabinet conforms with your mains supply.

The mains lead of the freezer is fitted with a non-rewireable moulded-on 13 amp plug containing a 13 amp fuse. If the fuse requires replacing at any time, the fuse cover/carrier should be removed, using a small screwdriver to lever it out. The old fuse should be replaced by a 13 amp ASTA approved BS1362 fuse and the fuse cover/carrier *must* be refitted before the plug is used again.

If the fuse cover/carrier is lost, a replacement can be obtained from the Electrolux Service Shops and offices listed on page 18. The fuse cover/carrier must be of the same colour as that of the coloured insert in the base of the plug. **In no circumstances must the plug be used without a correct fuse cover/carrier fitted.**

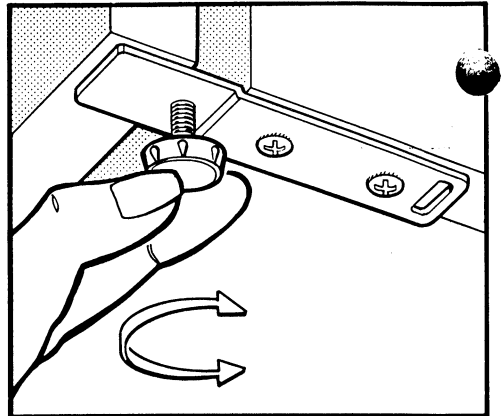
If the plug supplied on the freezer mains lead is not suitable for the socket outlet in your home, it should be cut off and disposed of safely, or destroyed, to avoid any possible shock hazard resulting from the plug being inserted into a 13 amp socket elsewhere in the house. A suitable replacement plug should then be fitted as given below. (If a 13 amp plug and socket are not used, the circuit supplying the freezer should contain a 10 amp fuse).

**WARNING —  
THIS APPLIANCE MUST BE EARTHED.**

## IMPORTANT


The wires in the mains lead of this appliance are coloured in accordance with the following code:-

**GREEN-and-YELLOW : EARTH**  
**BLUE : NEUTRAL**  
**BROWN : LIVE**



# Setting the controls

As the colours of the wires in the mains lead may not correspond with the coloured markings identifying the terminals in your plug, proceed as follows:-

Connect the GREEN-and-YELLOW coloured wire to the plug terminal marked letter E or earth symbol  or coloured green or green-and-yellow.

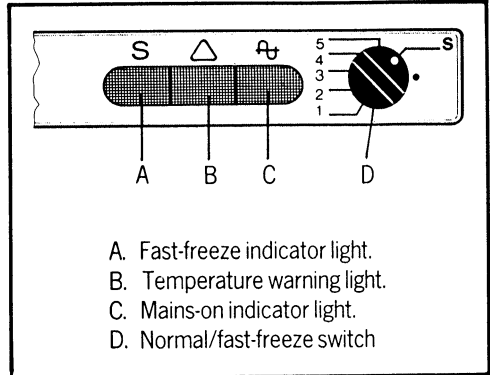
Connect the BLUE coloured wire to the plug terminal marked letter N or coloured black.


Connect the BROWN coloured wire to the plug terminal marked letter L or coloured red.

If at any time a replacement mains lead is required, the cross sectional area of its conductors must not be less than 0.75mm<sup>2</sup>.

The cover of the terminal box can be removed to gain access to the mains lead terminals after releasing the two clips with a small screwdriver, *but remember to first disconnect the plug from the electricity supply socket.*

The controls for operating the freezer are located at the top front — see illustration below.



To start cooling, plug into the wall socket and switch on, – turn the thermostat dial clockwise to a position about mid-way on the dial. The 'mains on' light  will come on.

The temperature required in the freezer is –18°C (0°F) or below and under normal conditions, this temperature will be obtained at the suggested setting.

However, the temperature inside the freezer will be affected by location, room temperature or frequency of door opening and adjustment of the thermostat setting may be necessary to allow for this.

If lower temperatures are required (eg during hot weather), turn the thermostat dial clockwise to a *higher* number or, for less cooling, anti-clockwise to a *lower* number.

The freezer temperature will be affected by location, room temperature and frequency of door opening, and adjustment of the thermostat setting may be needed to allow for this.

***We advise you to run your freezer for a day before storing frozen food.***

# Using the freezer

## Fast-freeze setting and yellow indicator light 'S'

The fast-freeze setting overrides the thermostat and should be used when freezing fresh foods as explained later. When the fast-freeze setting is in use (i.e. with the thermostat dial set against 'S') the light will come on as a reminder.

## Temperature warning light

The light in the control panel will come on as a warning if the temperature in the freezer rises above the level required for the safe storage of frozen food, — provided of course that electricity is still available and that the thermostat is at the correct setting.

The light will come on when first starting up the freezer and possibly after opening the door, or while freezing fresh food, but it should go out as soon as the temperature falls to the correct level. If it does not, it indicates that something is wrong.

The **\*\*\*** symbol means that your freezer will store food at  $-18^{\circ}\text{C}$  ( $0^{\circ}\text{F}$ ) for long term storage and will also freeze fresh food.

## Storing frozen food

Your freezer has the following capacities:

Nett Storage Volume		*Weight of Stored Food	
litres	cubic ft	kg	lb
110	3.9	35.2	77.6

*\*This is a standard measurement and the actual capacity depends upon the density and sizes of food. The above figures are based on an average density of 0.32 kg per litre.*

Pre-packed commercially frozen food should be stored in accordance with the manufacturer's instructions for 3 star frozen food compartments and should be put into the freezer as soon as possible after purchase. Your freezer provides for long term storage which generally means up to 3 months but the length of storage time can vary and it is important to follow the recommended times shown on packets of commercially frozen food.

Storage times for home prepared fresh frozen foods are given on pages 9, 10 and 11.

***If your freezer breaks down or the power fails, don't open the door and the frozen food won't be affected for up to 24 hours.***

Any frozen food which thaws accidentally should be eaten as soon as possible or thrown away. Alternatively, if the food is uncooked and it has not completely defrosted it can be cooked then refrozen. (Note that some items must be thawed completely before cooking — see page 12).

***Cooked food that has defrosted must never be refrozen.***

# Freezing fresh food

## General information

In any 24 hours you can freeze as much as 15 kg (33 lb) of fresh food in your freezer. The method to adopt will depend on the weight of food to be frozen at one time:-

### 0 to 15 kg (22 to 33 lb)

Set the thermostat dial so that the indicator mark is against 'S' 24 hours *before* loading the food in the freezer. 24 hours after loading the food, return the switch to 'N' (normal).


### 5 to 10 kg (11 to 22 lb)

Set the thermostat dial to 'S' as above, but load the fresh food in the freezer *immediately*. 24 hours later, return the switch to 'N' (normal).

### Up to 5 kg (11 lb)

There is no need to use the fast-freeze setting for small quantities, — simply load the food and leave or 24 hours to freeze.

The foods to be frozen should be prepared and packaged as described on the following pages and placed in the freezing compartment as given above, depending on weight. The packages should be in contact with the cooling surface as far as possible and spaced apart to allow cold air to circulate between them. They should not touch existing frozen food packages.

 Harm will result if you forget to return the thermostat dial to its normal setting after it has been in use but, for reasons of economy, try to remember to return it when freezing is complete, — the warning light should remind you of this.

If there is room, you can transfer the food you have frozen to other parts of the freezer allowing you to freeze a further load in the freezing compartment.

For safety reasons, the wire basket is fitted with stops but it can be removed by pulling it forward and lifting it at the front. Refit by reversing this procedure to engage the runners.

## Practical Hints

Different foods need different methods of preparation and some will keep longer than others.

Of course, you can freeze practically anything, but don't waste space in your cabinet by storing foods which are readily available throughout the year.

Fruit is ideal — especially the softer varieties. But avoid pears because they lose their texture and discolour, and bananas, which will turn black.

Vegetables and herbs too are ideal, but salad vegetables and marrows are unsuitable because they contain too much water. Celery loses its crispness, so should be cooked first, and tomatoes are best frozen as purée. Onions should be chopped fine and frozen in small quantities.

All poultry, meat and fresh fish freeze well, as do baked goods, though for shorter periods.

As for prepared foods, these too can be frozen with confidence, but there are a few points to bear in mind.

Semi-liquid foods have a tendency to thicken, so should be made up a little slacker than normal. Highly spiced and aromatic dishes should be wrapped really thoroughly, so the flavour doesn't spread to your other frozen foods. Always cool them quickly and then freeze immediately.

## General Preparation

For freezing purposes always choose the finest quality fresh foods.

### Fruit & Vegetables

Fruit and vegetables should preferably be frozen immediately after harvesting or at least kept in a refrigerator for no longer than twenty-four hours. For perfect results fruit should be *just* ripe, and if any shows signs of being damaged it should be discarded. Most vegetables and some fruit need to be blanched before freezing to retard enzyme

# Freezing fresh food (cont'd)

on. Timings for individual types are given in the tables that appear later in this booklet.

oints in handy-sizes after removing waste bones, fat and so forth. Game must be hung desired period and cleaned *before* being

l preferably be frozen within twenty-four hours g caught. Any superfluous scale should be ed along with the fins, then the fish gutted and d clean in cold salted water before being

y  
nge and wash birds thoroughly. Tie legs and o the body before placing in the freezer, or o joints for packing separately — giblets be packed separately, where possible.

## Products & Baked Items

Individual details in tables which appear later in oklet, page 11.

### red Foods

reeze well, but remember that seasonings ome intensified during frozen storage, so be aring and add whatever you like when ready ng. Salt actually shortens the storage time for s of frozen foods, so add only a little during ation.

### ching

necessary, (see remarks column on page 10), vegetables into boiling water for the ed period, timing from the moment of return Then drain and cool immediately in cold or iter before packaging and freezing.

### aging

packing is one of the most important points ood freezing, if the true quality is to be ed.

l should be carefully wrapped in airtight reproof materials. It should be completely

covered and as much air as possible shut out to prevent 'freezer-burn' — those blemishes which appear on thawing.

The majority of materials you are likely to require will be readily obtainable from your own home freezer supplier, the larger stationery shops and department stores. Most useful are heavy gauge polythene bags or sheeting and plastic containers with tight-fitting lids — also the thicker kinds of aluminium foil.

As far as possible try to pack food in even shapes and sizes to maximise the space available in your freezer cabinet and facilitate removal when required at a later date.

## Labelling

The self-adhesive type of label is probably the most useful as it can be used on every kind of surface. Each label should show clearly what kind of food is in the package, its approximate weight or likely number of servings, the date of initial storage and any comments relevant to ultimate use.

In addition, there is a slot in the front of the storage compartment covers which will accept the cards provided. These will provide handy reference to the contents of each compartment.





## ing Foodstuffs Individual Characteristics

	<i>Max. Storage Period</i>	<i>Method</i>	<i>Remarks</i>
<b>oints</b>			
	10 - 12 months	Cut to handy size. Wrap thoroughly	
	6 - 9 months	Cut to handy size. Wrap thoroughly	
	9 - 12 months	Cut to handy size. Wrap thoroughly	
<b>reak</b>	10 - 12 months	Separate with cellophane layers	
	see Pork or Lamb above	Separate with cellophane layers	Wrap carefully to protect against puncturing by sharp bones
<b>ots</b>	6 - 9 months	Separate with cellophane layers	
<b>ured moked</b>	6 weeks 1 month	Separate with cellophane layers	Pack in handy meal portions
<b>is</b>	6 weeks	Wrap tightly	Pack in handy meal portions
<b>meat</b>	2 months	Wrap tightly	Pack in handy meal portions
<b>l tripe</b>	3 months	Clean thoroughly. Pack in small portions	Make sure it is really fresh
<b>RY</b>			
	9 - 12 months	Clean in usual way, joint if necessary	Wrap giblets separately - do not stuff till ready
	9 - 12 months	Clean in usual way, joint if necessary	
<b>oose</b>	6 months	Clean in usual way, joint if necessary	
	3 months		Wrap separately from bird
<b>s</b>	6 months	Hang before freezing, prepare as for poultry	Cook immediately after thawing
<b>s</b>	3 - 6 months	Clean, discard head and tail, wrap separately	Meat to be fresh
	4 months	Clean, discard head and tail, wrap separately	Meat to be fresh
	4 months	Clean, stuff with greaseproof paper for shape retention, or cut into steaks	Meat to be fresh
<b>ABLES</b>			
<b>oms</b>	12 months	Wash, dry thoroughly Freeze loose (or sautéed in a little butter till partially cooked then freeze)	Use as for fresh

	<i>Max. Storage Period</i>	<i>Method</i>	<i>Remarks</i>
Potatoes	10 – 12 months	New potatoes and chips can be frozen raw. Otherwise cook partially in one of usual forms, cool then freeze	
Beans	12 months	Peel or pod, and wash	Blanch for 2 mins., cool for same time in iced water then freeze
Carrots	12 months	Use small ones. Prepare	Blanch for 5 mins.
Cauliflower	12 months	Break up into florets	Blanch for 3 mins.
Spinach	12 months	Wash thoroughly. Remove thicker veins	Blanch a few leaves at a time, for 2 mins.
Sprouts	12 months	Use only small ones. Remove outer leaves	Blanch for 3 mins.
Root crops	12 months	The younger the better. Peel and slice or freeze whole	Blanch for 3 mins.
<b>FRUIT</b>			
Apples	9 – 12 months	Freeze either of two ways: As purée-stew with little water, beat to smooth pulp, sweeten to taste, cool. OR Sliced-blanch for two minutes, drain and cool. Pack tightly in layers with a little dry sugar sprinkled between, if so desired; or soak in slightly salted water for ten minutes, dry and freeze	Freeze in small quantities. Pack in plastic containers, leaving ½" headroom ditto
Apricots	10 – 12 months	Preferably remove stones, but leave skins on. Pack in syrup ½ – 1 lb. sugar to 1 pint of water, making sure fruit is covered	Pack in plastic containers, leaving ½" – 1" headroom
Cherries	12 months	ditto	ditto
Damsons	12 months	ditto	ditto
Plums	9 months	ditto	ditto
Gooseberries	12 months	ditto	ditto
Blackberries	12 months	Either pack in syrup as above, or coat with caster sugar and pack in plastic containers. Also may be frozen loose: spread on trays allowed to freeze overnight and then packed in containers	ditto
Currants	12 months	ditto	ditto
Raspberries	12 months	ditto	ditto
Strawberries	12 months	ditto	ditto

	<i>Max. Storage Period</i>	<i>Method</i>	<i>Remarks</i>
Peaches	10 months	Cover with boiling water for 1 minute, then cool by dipping into cold and peel carefully. Cut into halves, removing stone. Use syrup method of packing and freezing	Keep fruit submerged in syrup; place crumpled greaseproof paper on top, so there is no room between the surface of the liquid and the lid

### DAIRY PRODUCTS

Egg Whites	10 months	Eggs must always be separated. Place whites in small containers just a few at a time	Eggs frozen in their shells will crack
Egg Yolks	10 months	As for whites, but to prevent coagulation mix with ½ tsp. salt or 1 tsp. caster sugar to every two yolks	Use for savoury or sweet dishes accordingly
Butter	6 months (unsalted) 3 months (salted)	Wrap bought butter in foil and freeze	
Cream Whipping and Double only	4 months	Must first be beaten lightly before freezing	Allow slight room for expansion in the container
Cheese	8 months (soft) 3 months (hard)	Wrap all varieties tightly in foil	Hard cheese stores much better when grated

### BAKED ITEMS *Wrap in foil or polythene bags*

Bread (Freshly baked)	1 – 2 months		
Cakes, plain	6 months	Just wrap and freeze	
Cakes, iced	3 months	Freeze without wrapping, then wrap and store in polythene	

### PREPARED FOODS

Sauces	2 months	May be frozen quite satisfactorily in a polythene bag	
Sauces	4 months	Freeze in quantities of ½ pint. A little extra liquid may be required, when you come to use it	Egg based sauces are unsuitable
Full courses	3 months	Assemble individual helpings on specially constructed aluminium trays, then cover with foil. To re-heat leave the cover on and put in the oven for about 45 minutes at 400°F (200°C)	Cover slices of meat with gravy to prevent drying out

# Thawing food

## Thawing Food

### Fruit

Keep container closed and allow to thaw at room temperature for about five hours.

### Vegetables

No thawing needed — place in salted boiling water, cover and time cooking from moment of return to boil. It only takes a few minutes. Can also be put in the oven with a knob of butter. Chips and courgettes can go into hot fat.

### Meat, Poultry etc.

Small jointed items don't require thawing before cooking, but always choose a moderate temperature and allow for a longer cooking time than normal so the meat cooks right through.

However, large items, such as a whole chicken must be thawed first; allow two to three hours per pound at room temperature, then proceed as usual.

### Dairy Products

Allow eggs to thaw in closed containers and use immediately. Butter and cream will thaw in one to two hours at room temperature.

### Baked Items

Bread takes about two hours to thaw or loaves may be heated in the oven. Cakes can be sliced in their frozen state to retain shape and speed the thawing process.

### Prepared Foods

Heat gently in closed containers in the oven.

### Commercial Packs

Simply follow the printed instructions.

# The ice store

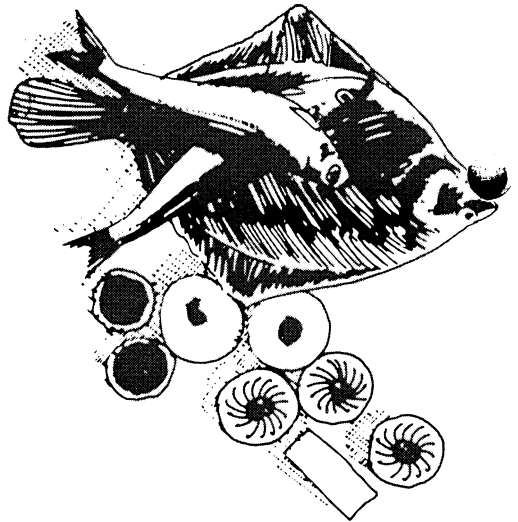
## Ice making

The freezing compartment includes an ice store which enables you to build up a supply of ice cubes for a forthcoming party or spell of hot weather when ice will be in demand. The ice tray fits in the top of the ice store.

First, make ice cubes by filling the ice tray with fresh drinking water to the top of each ice cube compartment and placing the tray in the top of the ice store in the freezing compartment. For quicker ice-making, you can place the ice tray directly on the floor of the freezing compartment.

When ice cubes have formed, hold the tray upside down over the ice store and twist the tray along its length, allowing the loosened cubes to fall into the store.

Several makings of ice cubes can be accommodated and, of course, you can also leave the ice tray full of cubes, conveniently placed on top of the ice store.



# Important points to remember

## DO . . .

adjust the level of your freezer before loading it with food, — see page 4.

keep a simple record of what you are storing, and remember to rotate stocks, — date markings will help with this.

disconnect from the wall socket and leave the door ajar when the freezer is not in use.

## DON'T . . .

put hot food in the freezer.

put bottles or cans of fizzy drinks in the freezer.

give children iced lollies straight from the freezer, — they could cause frost burns.

attempt to freeze more than the maximum stated quantity of food in any 24 hours.

obstruct the air-flow under or over the freezer.

use a sharp instrument to remove frost as this could damage the cooling unit beyond economical repair.

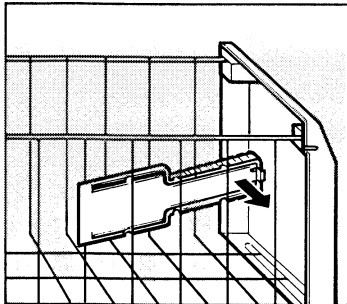


FIG 1

# Looking after your freezer

## How to defrost

Frost accumulates on the cooling surfaces during normal working and should occasionally be removed using the plastic scraper supplied (clipped to the inside of the bottom basket) (see fig 1).

Heavy frosting (about 1/4" thick) will reduce the freezer's efficiency and therefore complete defrosting should then be carried out, probably at 6 month intervals, depending on usage. Preferably you should do this when there is little or no food in the freezer, in the following manner:

1. Any remaining frozen food should be placed in another freezer, or in cardboard boxes and wrapped in blankets, layers of paper, or other suitable insulating material. Put in a cool place.
2. Remove the plastic scraper from its storage position on the inside of the bottom basket (see fig 1) and fit into the slot located in the centre of the bottom front of the cabinet (see fig 2). Place a suitable container under the spout to collect the defrost water.
3. Switch off at the wall socket, remove the plug, and leave the freezer door open.
4. Defrosting can be speeded up by putting bowls of hot (not boiling) water in the freezer and loosening the frost with the plastic scraper supplied.
5. When defrosting is complete, remove plastic scraper and return to its storage position in the bottom basket.

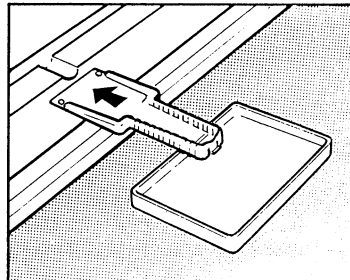


FIG 2

# Changing over the door hinges

6. Clean and dry the interior as explained later under the heading "Cleaning", re-connect to the electricity supply and switch on. See that the thermostat dial is at the required setting and that the mains-on indicator light is on. Replace frozen food and close the door.

**REMEMBER**, if the temperature of frozen food is allowed to rise unduly during defrosting, its storage life may be shortened.

## Cleaning

The most suitable time to clean your freezer is after defrosting. Remember to first switch off and pull out the plug.

The interior and fittings should be thoroughly cleaned with a clean cloth wrung out in a solution of one teaspoonful of bicarbonate of soda in each pint of water.

**Never use neat detergents, abrasive powders, highly perfumed cleaning materials or wax polishes to clean the interior as these can damage the surfaces or leave a strong smell.**

The outside of the freezer should be occasionally wiped over with a cloth or sponge dampened with a mild solution of detergent or soap.

A small amount of wax polish applied every few months will maintain the gloss finish of the outside.

The motor compressor and condenser at the rear should also be cleaned of dust occasionally using a brush, but make sure the freezer is unplugged when you do this.

## Going on holiday?

Don't switch off at the mains if you intend to leave food in the freezer.

If you are leaving the freezer empty, switch off at the wall socket and remove the plug. Defrost, clean and dry, **and leave the door open, to avoid the build-up of stale odours inside the cabinet which will be difficult to remove on your return.**

1. Empty the refrigerator, removing the glass shelf and all other loose items. If already in use, disconnect from the electricity supply.
2. Gently lay the cabinet on its back then remove the lower hinge (3) by taking out the two screws and lockwashers (2).
3. Carefully remove the door, disengaging it from the upper hinge pin.

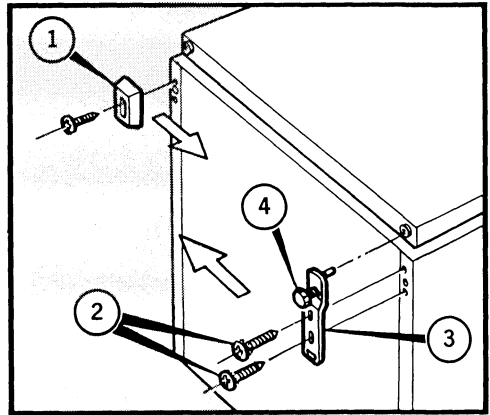


FIG 3

4. Unscrew the upper hinge pin and transfer it to the opposite side.
5. Refit the door, engaging the top with the upper hinge pin in its new position.
6. Transfer the front foot (1) to the opposite side then refit the lower hinge (3) in its new position with the screws and lockwashers (2).
7. Stand the refrigerator upright. Prise out the plastic plugs from the alternative screw-holes for handle, protecting the paintwork while doing this with masking tape or something similar.
8. Install the refrigerator, levelling it as necessary with the adjustable foot (4).

# Installing under a worktop

# Something not working

## Installing under a work surface

Should you wish to install the refrigerator under a worktop, it is important to provide sufficient clearance over the top of the refrigerator to allow proper ventilation of the cooling system.

The provision of a recess with minimum dimensions as shown in fig 4 will ensure satisfactory performance in normal kitchen temperatures.

**Note.** Do not use the area over the top of the refrigerator as a drying space for towels etc, as this will impede air flow and affect the performance of the refrigerator.

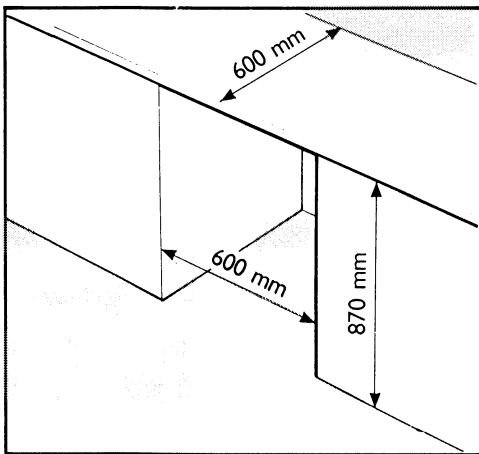


FIG 4

## **Before you call for a Service Engineer, carry out these simple checks:**

If your house supply is in order, is the freezer plug firmly connected to the wall socket, and is the socket still switched on? Try plugging in a table lamp or other appliance to see if power is available at the particular wall socket.

Is the fuse in the plug intact? If you have fitted your own plug, are the wires of the mains lead correctly connected? (See "Connecting to the mains", on page 4).

Have you turned the thermostat to the correct setting?

Has the door been left open causing the temperature to rise?

Sometimes the freezer door will be difficult to open shortly after you have closed it. Don't worry; this is due to a pressure difference which will quickly equalise and allow the door to open normally.

If after checking these points, your freezer still won't work, call your nearest Electrolux Service Shop or Office without delay. It is listed on page 17.

When calling, tell us your name, address, with postcode, telephone number and what appears to be wrong. Also the Model number of your freezer and when and where you purchased it.

For future reference we suggest you record these details overleaf, and keep the receipt with the handbook as proof of purchase.

# Guarantee

**This Guarantee is offered to you as an extra benefit and does not affect your legal rights.**

Electrolux products are carefully designed, manufactured, tested and inspected and in consequence we undertake to replace or repair any part found to be defective in material or workmanship, within one year of delivery to the original purchaser, free of charge.

**ADDITIONALLY, DURING THE SUBSEQUENT FOUR YEARS, ANY DEFECTIVE PARTS WILL BE REPLACED FREE — LABOUR COSTS ONLY BEING CHARGEABLE,** provided that within 14 days of the purchase the Guarantee Registration Card is completed and returned to the Company.

The Company does not accept liability for defects arising from neglect, misuse, or accident.

There are certain conditions which may invalidate this guarantee:

- a) It is dependent upon the appliance being correctly installed and used in accordance with the Company's instructions under normal domestic conditions within the United Kingdom or the Republic of Ireland.
- b) Service under the guarantee must be carried out by an Electrolux service representative or authorised agent.
- c) The guarantee may be invalidated by unauthorised repair or modification of the appliance.

Proof of the date of purchase will be required before service under guarantee is provided. Addresses or telephone numbers for service requests are listed on page 17.

We must point out that this guarantee does not cover liability for loss of food or other contents, but would draw your attention to the insurance facilities described on the separate leaflet.

Purchased from \_\_\_\_\_

Date Purchased \_\_\_\_\_

Model Number TF421 \_\_\_\_\_



# Electrolux Service Organisation

Should any breakdown occur with your appliance simply telephone your nearest Electrolux Service Office or Service Shop, explain the nature of your problem and quote your Model number.

## ELECTROLUX SERVICE OFFICES

### Scotland & North Eastern Region

Electrolux Service, Epic House, 28-32 Cadogan Street, Glasgow G2 7LR. 041-204 0411

### Northern Region (Inc. N. Ireland)

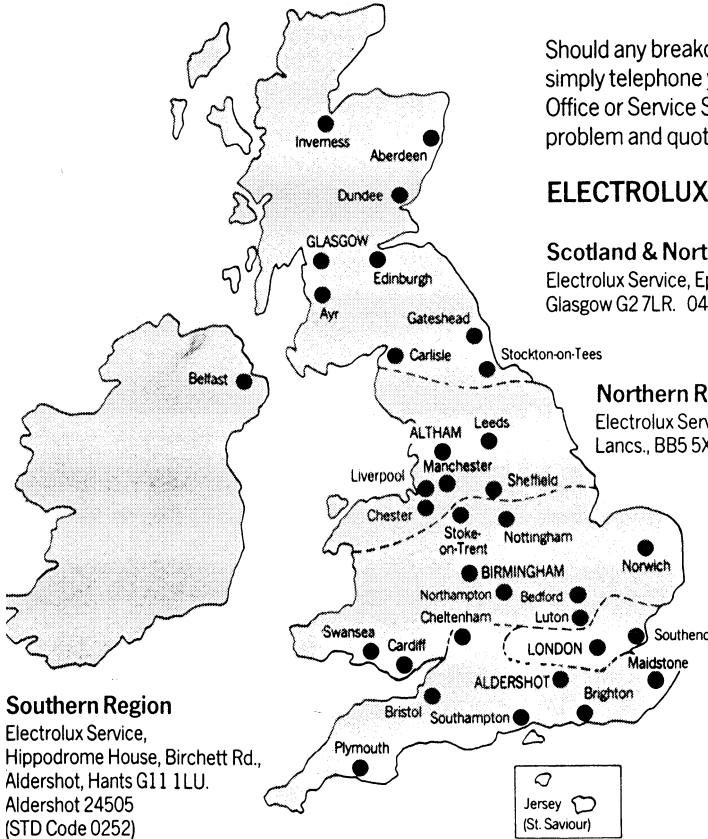
Electrolux Service, Altham Lane, Altham, Accrington, Lancs., BB5 5XY. Padiham 74621 (STD Code 0282)

### Midlands & South Wales Region

Electrolux Service, 3 Strensham Hill, Moseley, Birmingham B13 8AQ. 021-449 5252

### London Region

Electrolux Service, 842 Coronation Road, Park Royal, London NW10 7QA. 01-965 9699



### Southern Region

Electrolux Service, Hippodrome House, Birchett Rd., Aldershot, Hants G11 1LU. Aldershot 24505 (STD Code 0252)

## ELECTROLUX SERVICE SHOPS

Aberdeen 695761 (STD Code 0224)

262242 (STD Code 0292)

Bedford 219000 (STD Code 0234)

Belfast 740 296/7 (STD Code 0232)

Brighton 694341 (STD Code 0273)

Bristol 211876 (STD Code 0272)

Cardiff 387444 (STD Code 0222)

Carlisle 44568 (STD Code 0228)

Cheltenham 584051 (STD Code 0242)

Chester 312038 (STD Code 0244)

Dundee 22630 (STD Code 0382)

Edinburgh 031-229 1232

Exeter & E. Devon 217138 (STD Code 0392)

Gateshead 4600440 (STD Code 091)

High Wycombe 41042 (STD Code 0494)

Inverness 223056 (STD Code 0463)

Jersey (St. Saviour) Central 22138 (STD Code 0534)

Leeds 608511 (STD Code 0532)

Liverpool 051-220 8014

Luton 575966 (STD Code 0582)

Maidstone 677727 (STD Code 0622)

Manchester 061-798 9689

Northampton 69222 (STD Code 0604)

Norwich 667017 (STD Code 0603)

Nottingham 396927 (STD Code 0602)

Plymouth 58161 (STD Code 0752)

Sheffield 338674 (STD Code 0742)

Southampton 785231 (STD Code 0703)

Southend 354313 (STD Code 0702)

Stockton-on-Tees 674848 (STD Code 0642)

Stoke-on-Trent 413414 (STD Code 0782)

Swansea 51848 (STD Code 0792)





